

SERVICE

Should your subwoofer ever need service, return it to the JBL dealer from whom it was purchased. If for some reason this is impractical, in the USA, call 800-336-4JBL for the nearest warranty station. **Do not return products to the JBL factory without prior authorization.**

Specifications

Amplifier Power (RMS)*

Low Frequency Woofer

Voice Coil Diameter

Cone Material

Inputs

Outputs

Crossover Frequency

Frequency Response (-6dB)

External Dimensions (HxWxD)

External Dimensions (mm)

Weight (each)

Shipping Weight

*ALC circuit defeated.

**Determined by crossover setting.

G SUB10

80 Watts

10"

2"

Poly-fiber Laminate

Line Level & Speaker Level

Full-Range Speaker

50–200 Hz (Continuously Variable)

30 Hz to (62–250 Hz)**

17-1/4" x 13-1/4" x 14-1/4"

438 x 337 x 362mm

35 lbs (15.9kg)

40 lbs (18.1kg)


JBL continually strives to improve its products. New materials, production methods and design refinements are introduced into existing models without notice as a routine expression of our design philosophy. For this reason, JBL loudspeakers may differ in some respect from their published specifications and descriptions, but will always equal or exceed the original specifications unless otherwise stated.

JBL Consumer Products, Inc.
80 Crossways Park West
Woodbury, NY 11797



8500 Balboa Blvd.
Northridge, CA 91329

800 336 4JBL (4525)

 A Harman International Company
Part No. JGS100WN

JBL

G SERIES LOUDSPEAKERS

OWNER'S MANUAL

G SUB10

INTRODUCTION

Congratulations on choosing JBL loudspeakers. Their highly accurate, uncolored and balanced sound character will greatly increase your enjoyment of recorded music. We build JBL speakers with careful attention to detail, using only the highest quality materials. They will provide many years of excellent performance.

Your G Sub10 is easy to set up. We recommend that you take a few minutes to read this owner's manual before you begin, and that you follow instructions carefully.

Amplified Subwoofer

Your G Sub10 subwoofer has both line-level and speaker-level stereo inputs for versatility and ease of use. We've also provided speaker outputs to let you hook up satellite speakers. Adjustable level and crossover controls let you balance the subwoofer with your main speakers.

Poly-fiber Laminate Woofer

Provides tight bass and well-defined sound reproduction without harshness, stridency, or listener fatigue.

Acoustically Optimized Cabinet

Optimized to produce an extended and level bass response in conjunction with the internal amplifier. The cabinet may be placed either vertically or horizontally. The grille logo may be turned to match either orientation of the subwoofer.



CAUTION

RISK OF ELECTRIC SHOCK DO NOT OPEN



CAUTION: To reduce the risk of electric shock, do not remove amplifier back.

No user serviceable parts inside. Refer servicing to qualified service personnel.



The lightning flash with arrowhead symbol, within equilateral triangle, is intended to alert the user to the presence of uninsulated "dangerous voltage" within the product's enclosure that may be of sufficient magnitude to constitute a risk of electric shock to persons.



The exclamation point within an equilateral triangle is intended to alert the user to the presence of important operating and maintenance (servicing) instructions in the literature accompanying the appliance.

Warning – To reduce the risk of fire or electric shock, do not expose this appliance to rain or moisture.

Caution: To prevent electric shock do not use this (polarized) plug with an extension cord, receptacle or other outlet unless the blade can be fully inserted to prevent blade exposure.

CONNECTIONS

CAUTION: Before making any connections to your subwoofer, make sure the power to your entire system is OFF.

POWER

Plug the power cord into a grounded wall outlet or the accessory outlet on the back of your amplifier/receiver.

INPUTS

Your G Sub10 subwoofer has both line-level and speaker-level input connections. Review your receiver/TV/source amplifier instruction manual to see which outputs your equipment provides, then follow the appropriate instructions below.

Line Input – Use the RCA (phono) input jacks labeled "Line Input" when connecting from a line-level device, such as a pre-amp, crossover, signal processor, or when using any of the line-level outputs on the rear of your receiver/TV/source amplifier. If your receiver has a single RCA output for sending the signal to the subwoofer, you may connect it to both Right & Left input jacks by using a "Y" adapter (not included). Many stereo/ large screen TVs have stereo (Right & Left)

RCA jacks for sending the signal to external audio equipment. Your subwoofer connects to these using both the Right & Left input jacks (see Figure 1).

Speaker Level Input (from amplifier) – Use these inputs when connecting to the "Speaker Out" (speaker mains) of the receiver/TV/source amplifier. Run speaker wires from the speaker output terminals (usually coded red and black) on the rear of the receiver/TV/source amplifier to the red and black input terminals labeled "Speaker Level Input (from amplifier)" on the subwoofer (see Figure 2).

Preparing the Hookup Wire

Your JBL dealer can recommend suitable cables, or you can buy wire at most hardware or electronic stores. High-quality connectors and cable offer consistent performance that does not deteriorate over time. We recommend #16 AWG two-conductor insulated wire as a minimum size. If your subwoofer is more than 30 feet (10m) from your receiver/TV/source amplifier, use larger diameter, lower gauge wire.

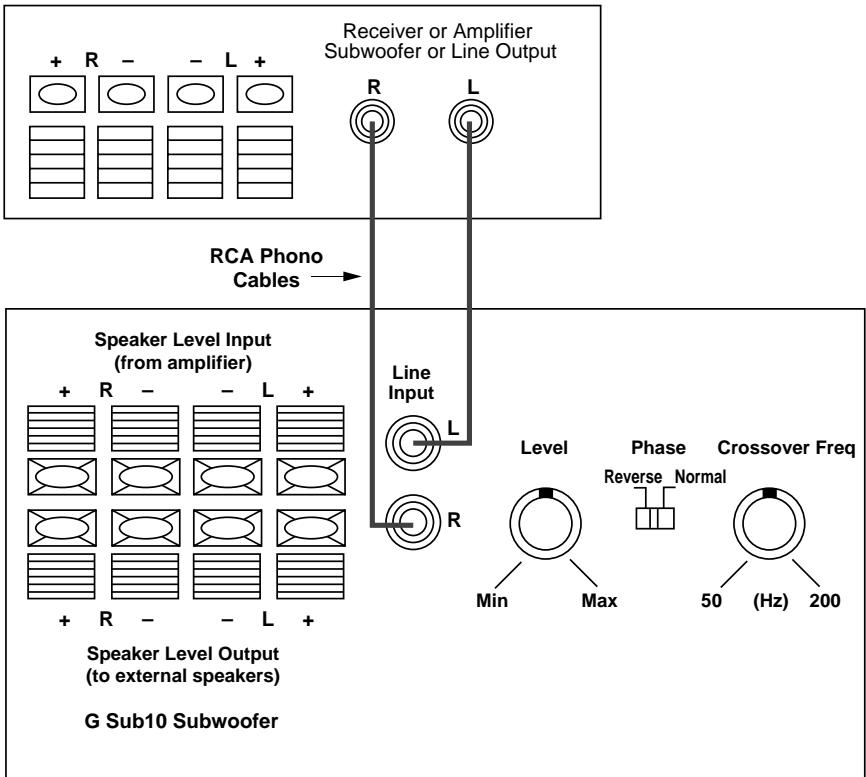


Figure 1: Line-Level Input Connection

1. First determine the distance between the receiver/TV/source amplifier and your subwoofer.
2. Now make two hookup wires this length.
3. Strip off 3/8" of insulation from both ends of each conductor wire.
4. Twist each set of thin wires into a tightly-bunched spiral.
5. Now find a visual difference

between the two conductors of each molded pair of speaker wire. These differences can be a different color wire (copper or "silver"); a strand of yarn in one conductor; thin, raised ribs on one part of the outer insulation; or a printed "+" marking on one of the insulators. It doesn't matter which of the two strands of wire go to (+) and (-) on the receiver/TV/source

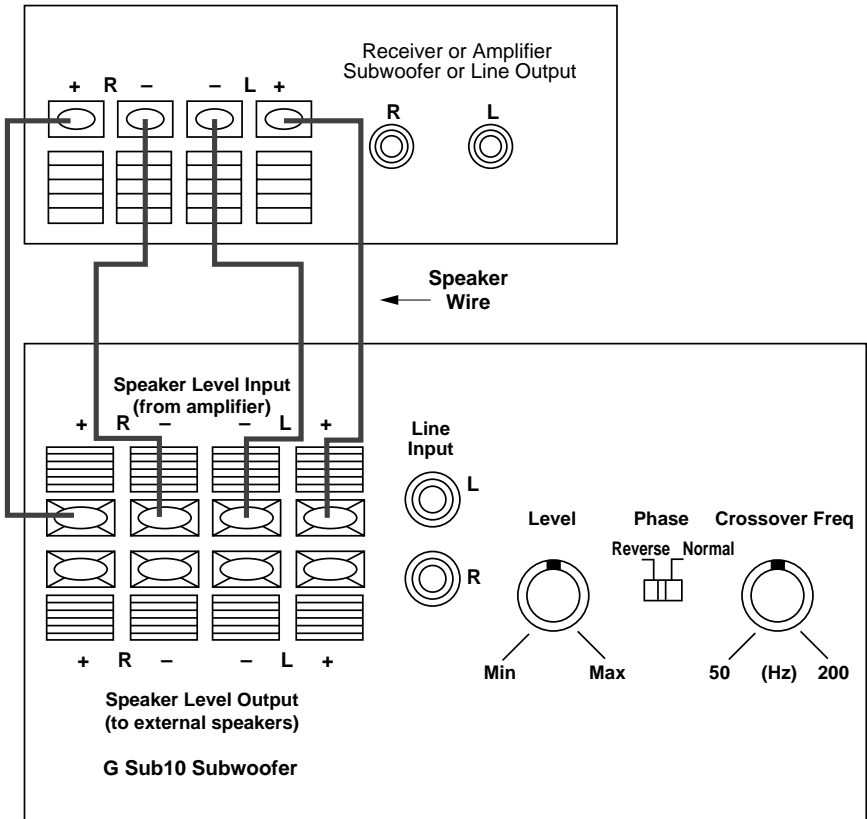


Figure 2: Speaker- Level Input Connection

amplifier and G Sub10 subwoofer, just be sure to connect both left and right hookup wires identically. Push down on the button next to the terminal hole and insert the wire through the hole. For each channel, connect the red terminal on the receiver/TV/source amplifier to the red or (+) "Speaker Level Input" connection terminal on the G Sub10 subwoofer, and the black to the black or (-). Connecting the subwoofer in this manner ensures

that both channels will be in phase; that is, working together, not in opposition.

CAUTION: Never attach inputs to both line-level and speaker-level inputs of the same channel at the same time.

OUTPUTS

Your subwoofer has a speaker output terminal block to enable the signal to

be sent to your main speakers or satellites. Your G Sub10 subwoofer can use the signal from your receiver/TV/source amplifier to produce the low bass while passing the unaltered signal source to the external speakers.

Speaker Level Output (to external speakers) – Hook up the external speakers using two-conductor insulated wire using the same procedure as described in “Speaker Level Input” section. The red (+) terminal of the subwoofer should be connected to the red (+) terminal of the external speaker, and the black (–) to black. Connecting the external speakers in this manner ensures that they will be in phase; that is, work together rather than in opposition. Connecting the speakers out of phase will not damage them, but will result in less bass and poor imaging (see Figure. 3).

NOTE: There is no significant change in impedance loading to your receiver/TV/source amplifier when hooking up through the G Sub10 subwoofer.

LEVEL

NOTE: When first setting up your subwoofer, set the Level control counterclockwise to “Min” (minimum) before turning power switch ON.

Turn power switch to “On,” and use the “Level” knob to add the appropriate amount of bass to your main speaker output. Increase the subwoofer level by turning the level knob clockwise until you find a setting that is pleasing to you.

CROSSOVER FREQUENCY

Use the “Crossover Freq” knob to adjust the upper end of the subwoofer’s frequency response. The crossover control determines the highest frequency your subwoofer will

reproduce. It allows a seamless transition from subwoofer to satellite speakers. When using small satellite speakers (without much bass), you would want the crossover frequency more toward the upper end (200 Hz) to fill in the sound your satellites can’t reproduce. When using larger main speakers, a setting more toward the low (50 Hz) end gives a smoother transition from your subwoofer to your main speakers. Experiment until you find a setting that meets your satisfaction.

MULTICOLOR LED INDICATOR OPERATION

The LED on the rear amp plate signifies the following operation states of the G Sub10 subwoofer:

RED – When your subwoofer isn’t receiving a music or source signal and the power switch is turned on, the LED indicator turns RED telling you that the unit is plugged in and ready for operation. At this time, the amplifier is in a “Standby” mode, effectively turned off and waiting for a signal from the source amplifier.

GREEN – When your subwoofer, picks up a source signal, it turns on instantly and begins to play. The LED turns GREEN. After about 6 to 8 minutes of non-use (no signal being received), your subwoofer goes into the auto shut-off mode. The LED turns RED to signify this “Standby” condition.

NOTE: When the amplifier is in the “Standby” mode it is effectively turned off. The Red LED tells you that the subwoofer is plugged into the AC wall power with its power switch turned on, but the amplifier circuitry is not engaged. You do not have to reach to the back panel and turn the power switch off after every use. Your G Sub10 subwoofer turns itself off internally. For extended periods of non-use (i.e., vacations, etc.), you may wish to actually turn the subwoofer off using the power switch.

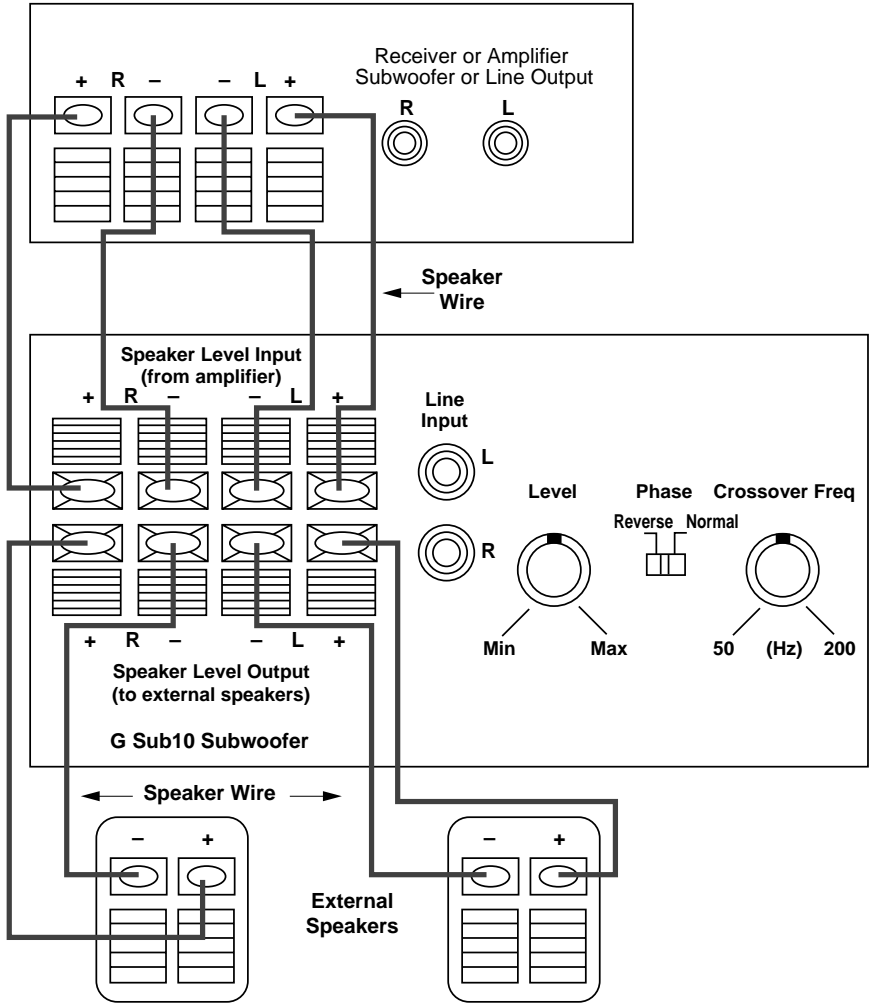


Figure 3: Speaker-Level Output Connection

PLACEMENT

CAUTION: Do not place your subwoofer next to heaters, furnaces, or any other heat sources. Be sure not to pinch or compress the power cord.

Since the low frequencies produced by your subwoofer are relatively non-directional, the placement of your subwoofer is not critical. You may place it under an end table, next to the wall, near the TV, anywhere you would like. Use the **PHASE** switch to maintain proper acoustic summation with the main speakers. Listen to your G Sub10 subwoofer and main speakers with the switch on "**Normal**" then listen to the same material with the switch on "**Reverse**." Decide which way sounds better and leave the switch in this position. You should repeat this procedure if you move your subwoofer to another part of the room.

ALC PROTECTION CIRCUITRY

Your G Sub10 amplifier has a built-in Automatic Level Control circuitry that comes on automatically when subjected to high input signal levels. It prevents your subwoofer driver from being damaged by accidental misuse, assuring you of many years of excellent performance.

GENERAL CARE

The grille is held in place by pins near the edges. To remove the grille, grasp it by both top and bottom edges and pull gently. To replace the grille, reposition it carefully and press gently at the corners. Do not push on the center area of the grille.

The loudspeaker cabinet may be cleaned with a slightly damp cloth. To remove dust from the grille cloth, use a vacuum with a brush attachment. Spots may be removed with a commercial spot remover. Do not use

any cleaners or solvents on the speaker drivers themselves.

TROUBLESHOOTING

Your subwoofer can only be repaired by an authorized JBL repair station. Do not remove the amplifier from the cabinet. There are no user-serviceable parts inside.

Before seeking service for your subwoofer, please recheck all connections as outlined in this manual. Verify the AC wall power source is working properly by checking it with another appliance.

The Red LED light on rear panel does not light when power switch is on

1. The subwoofer may not be receiving power. Make sure wall AC source is working properly.

The Red LED light is on but does not turn to Green

1. Your subwoofer may not be receiving a signal. Your stereo sound source may not be turned on or may not be selected on the front panel of the receiver/amplifier. Check settings.

The subwoofer plays at low volumes and/or shuts off as volume is increased, or sound is intermittent

1. The subwoofer level control is too low. Turn level control higher, towards the "Max" position.

2. There may be a short circuit in one of the connections. Check all wire connections.

Bass is very weak

1. The polarity (+ and -) of the L & R set of wires going to the subwoofer may be accidentally switched during hookup. Check connections as outlined in the "Speaker Level Input" section.